



Enriching Lives

## SINGLE PLATE WAFER CHECK VALVE

AS PER API : 6D



**KIRLOSKAR BROTHERS LIMITED**  
A Kirloskar Group Company

# SINGLE PLATE WAFER CHECK VALVES

Widely accepted by Municipal Corporations, Water Supply Authorities and Industrial users.  
Designed as per latest edition of API : 6D specifications.

## Applications :

- Single Plate Check Valves are used in pipe lines to prevent reverse flow of water and water hammer to the pumps from rising mains

## Features :

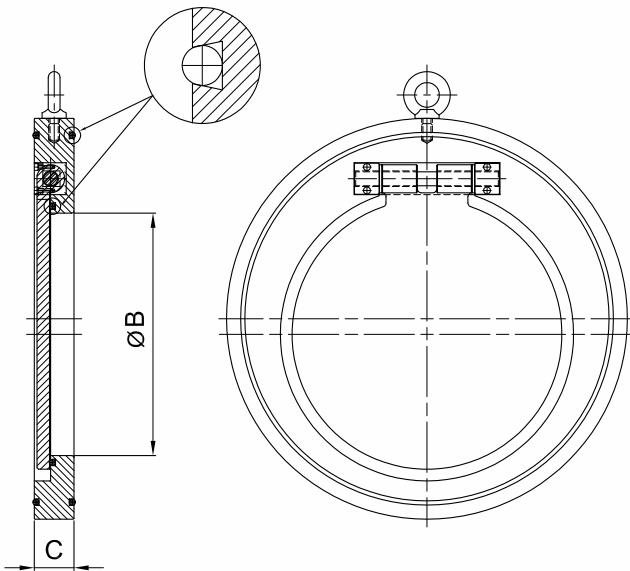
- Precise machined body seat surface and Disc seats for drop tight seat
- The light weight disc is provided with quick bonk spring for slamless closure
- Special D-Shaped High torsion spring coil ensures quick valve closure
- Innovative Hinge pin holding design for maintenance free operation
- Suitable for Horizontal and vertical pipe line
- Flexible Installation to suit pipe orientation
- Opening and closing of the valve will take place at an extremely low-pressure difference over the valve disc
- The eccentric disc shaft combination with the disc seat guarantees a positive shut off returning media
- Low pressure drop

## Material of Construction :

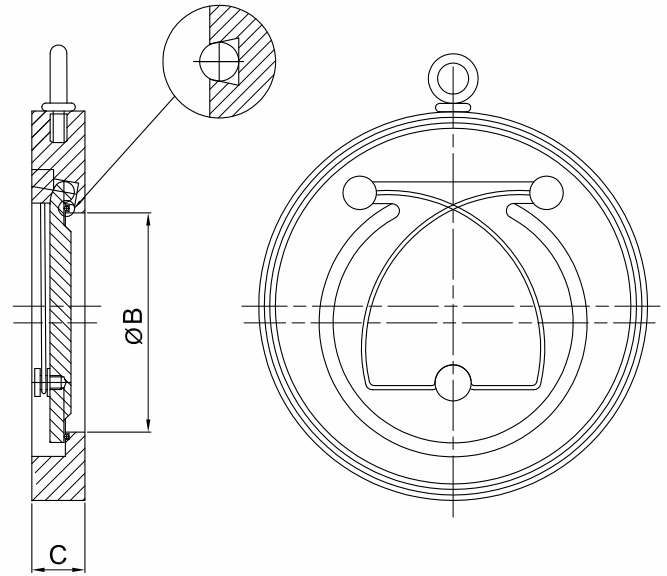
Scope	Body, Cover,	Disc	Seat	Spring
Standard	CI IS:210 Gr. FG.260	CS ASTM A216 Gr. WCB / Mild Steel	Nitrile Rubber	SS AISI 316
Optional	Ductile Iron / CS ASTM A216 Gr. WCB / SS ASTM A351 Gr. CF8 / SS ASTM A351 Gr. CF8M / Mild Steel	SS ASTM A351 Gr. CF8 / SS ASTM A351 Gr. CF8M	EPDM / SILICON / VITON / PTFE	

Note : 1. For special material of construction, Contact Design Office.  
2. Valves above 300mm will be without spring

## General Outline Drawing :



**Valve Size**  
350 mm & Above



**Valve Size**  
40 mm To 300 mm

## General Outline Dimensions :

Class 150

Valve Size	40	50	65	80	100	125	150	200	250	300	350	400	450	500	600
ØB	20	30	40	52	71.5	93	114	157	195	240	270	311	361	392	480
C	19	19	19	19	19	19	19	29	29	38	44	51	60	64	70

Note: 1. All Dimensions are in 'mm' otherwise stated.

## Technical Specifications :

Design and Manufacturing Standard	API 6D
Testing Standard	API 598
Size Range	40 mm - 600 mm

Note: 1. For Higher Pressure Rating contact Design Office.

## End Connection :

Scope	Mounting Between Flanges
Standard	ANSI B 16.5 Class- 150
Optional	BS: 10-Table D and E , IS : 1538 Table 4 and 6 .

**Accessories :**

- Companion Flanges & Fasteners

**Hydrostatic test Pressures Kg/Cm2 :**

Pressure Rating	Hydrostatic test Pressures Kg/Cm2:	
	Body	Seat
Class- 150	30	22
Class- 300	79	58
PN 10	15	10
PN 16	24	16





# OUR GLOBAL PRESENCE



# ABOUT KBL

Kirloskar Brothers Limited (KBL) is a world class pump manufacturing company with expertise in engineering and manufacture of systems for fluid management. Established in 1888 and incorporated in 1920, KBL is the flagship company of the \$ 2.1 billion Kirloskar Group. KBL, a market leader, provides complete fluid management solutions for large infrastructure projects in the areas of water supply, power plants, irrigation, oil & gas and marine & defence. We engineer and manufacture industrial, agriculture and domestic pumps, valves and hydro turbines.

In 2003, KBL acquired SPP Pumps, United Kingdom and established SPP INC, Atlanta, USA, as a wholly owned subsidiary of SPP, UK to expand its international presence. In 2007, Kirloskar Brothers International B.V., The Netherlands and Kirloskar Brothers (Thailand) Ltd., a wholly owned subsidiary in Thailand, were incorporated. In 2008, KBL incorporated Kirloskar Brothers Europe B.V. (Kirloskar Pompen B.V. since June 2014), a joint venture between Kirloskar International B.V. and Industrial Pump Group, The Netherlands. In 2010, KBL further consolidated its global position by acquiring Braybar Pumps, South Africa. SPP MENA was established in Egypt in 2012. In 2014, KBL acquired SyncroFlo Inc., the largest independent fabricator of commercial and municipal domestic water booster pumps.

To further strengthen its global position, in 2015, Kirloskar Pompen B.V. acquired Rodelta Pumps International, The Netherlands.

KBL has joint venture cooperation with Ebara, Japan since 1988 for the manufacture of API 610 standard pumps. Kirloskar Corrocoat Private Limited is a joint venture cooperation with Corrocoat, UK since 2006. KBL acquired The Kolhapur Steel Limited in 2007 and Hematic Motors in 2010.

KBL has eight manufacturing facilities in India at Kirloskarvadi, Dewas, Kondhapuri, Shirwal, Sanand, Kaniyur, Kolhapur and Karad. In addition, KBL has global manufacturing and packaging facilities in Egypt, South Africa, Thailand, The Netherlands, United Arab Emirates, United Kingdom and United States of America. KBL has 12,700 channel partners in India and 80 overseas and is supported by best-in-class network of Authorised Centres and Authorised Refurbishment Centres across the country.

All the manufacturing facilities at KBL are certified for ISO 9001, ISO 14001, ISO 50001, BS OHSAS 18001 and SA8000. In addition, the Kirloskarvadi plant is also certified for N & NPT Stamp. KBL's corporate office in Pune is certified for ISO 9001 & Sa8000.

The factories deploy Total Quality Management tools using European Foundation for Quality Management (EFQM) model. The Kirloskarvadi plant of KBL is a state-of-the-art integrated manufacturing facility having Asia's largest hydraulic research centre with testing facility upto 5000 kW and 50,000 m<sup>3</sup>/hr.

KBL is the ninth pump manufacturing company in the world to be accredited with the N and NPT certification by American Society of Mechanical Engineers (ASME).

---

## Pumps | Valves | Hydro Turbines | Turnkey Projects

Water Resource Management | Irrigation | Power | Industry | Oil & Gas | Marine & Defence | Building & Construction | Distribution (Small Pumps) | Valves | Customer Service & Spares

---

## KIRLOSKAR BROTHERS LIMITED

### A Kirloskar Group Company

Registered Office: Udyog Bhavan, Tilak Road , Pune 411002. Tel: +91(20)24440770, Global Headquarters: "Yamuna", Survey No. 98/(3.7), Baner, Pune 411045. Tel: +91(20)27214444, Email: [marketing@kbl.co.in](mailto:marketing@kbl.co.in), Website: [www.kirloskarpumps.com](http://www.kirloskarpumps.com), CIN No.: L29113PN1920PLC000670

#### OUR COMPANIES



United Kingdom



U.S.A.



South Africa



India



The Netherlands

Kirloskar Brothers Limited reserve the right to make alteration from time to time and such our products / equipments may differ from that detail in this publication. For latest information you may get in touch with our Regional Sales Offices.